

## Swivel & Right Angle Post Clamps

### RA90 Right Angle Clamp

The RA90 clamp provides coarse X-Y adjustment facilitating the alignment of two Ø1/2" TR posts oriented at 90° from one another. It is ideal for placement of an optic mount into a beam path where table mounting space below the path is not available.

### SWC Swivel Post Clamp

The SWC allows two TR Posts to be set at any angular orientation within a plane and provides 360° continuous adjustment. Locking screws secure the swivel mechanism once the desirable angle is achieved.

### RA180 Right Angle Clamp

The RA180 Right Angle Clamp effectively "terminates" a standard TR Post with a 90° double-bored clamp designed to hold a second TR post. It requires no positional offset as would be the case with the RA90 above.



ITEM#	METRIC ITEM#	\$	£	€	RMB	SIZE
RA90†	RA90/M	\$ 9.93	£ 6.30	€ 9,20	¥ 94.80	5/8" (16mm) x 2.2" (56mm)
RA180	RA180/M	\$ 10.00	£ 6.30	€ 9,30	¥ 95.50	Ø1/2" Post End Clamp 1/4"-20 (M-6)
SWC†	SWC/M	\$ 21.85	£ 13.80	€ 20,30	¥ 208.70	1.2" (30mm) x 1.3" (33mm) x 5/8" (16mm)

† Popular Products @ More Popular Prices

Mounting Basics

Optical Rails

Mirror Mounts

Lens Mounts

Filter Mounts

Rotation Mounts

Adapters

V-Mounts

Apertures & Iris Diaphragms

Lens Tubes

Cage Systems

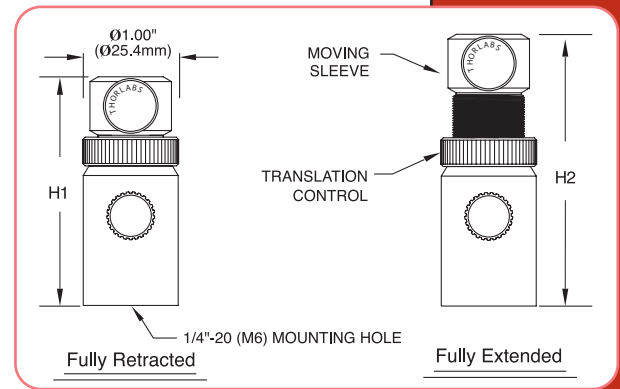
## Translating Post Holders



Our Translating Post Holders provide lockable, non-rotating height adjustment with convenient one-handed operation. A brass thumbscrew with a spring-loaded plunger provides holding force while the wide, square relief cut within the Ø1/2" post bore offers a stable two-line contact. A knurled adjustment ring actuates the non-rotating height adjustment with a fine 0.025" of translation per revolution. Once a desired position is achieved, the entire mechanism can be locked in place with the lower thumbscrew.

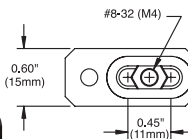
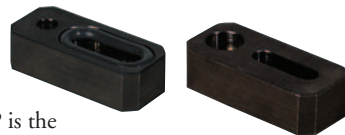
	H1	H2
PH2T	2.38" (60.5mm)	2.83" (72mm)
PH3T	2.89" (73.4mm)	3.53" (90mm)

ITEM#	METRIC ITEM#	\$	£	€	RMB	SIZE
PH2T	PH2T/M	\$ 45.60	£ 28.70	€ 42,40	¥ 435.50	2" (51mm) Translating Post Holder
PH3T	PH3T/M	\$ 47.50	£ 29.90	€ 44,20	¥ 453.60	3" (76mm) Translating Post Holder

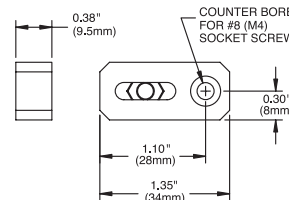


## Kinematic Mount Offset Plate

Since most conventional mirror mounts utilize their back plate for mounting to a post, an issue occurs where the front surface of the mirror is offset from the center of the mounting post. The KMCP is the ideal solution for eliminating this problem. The KMCP utilizes a #8-32 (M4) nut embedded within a slotted counterbore. By mounting a mirror mount to this nut, the position of the mirror's front surface can be located over a range of 0.33" (8.4mm), allowing the mirror to be centered over the mounting post. The KMCP can also be used as an extension to insert a mount into a beam path when space limitation prevent room for a post holder.



- Provides #8-32 (M4) Nut
- Provides #8 (M4) Slotted Counterbore
- 0.33" (8.4mm) Total Range



ITEM#	METRIC ITEM#	\$	£	€	RMB	DESCRIPTION
KMCP	KMCP/M	\$ 18.20	£ 11.50	€ 16,90	¥ 173.80	#8-32 (M4) Kinematic Mount Offset Adapter