

Optomechanics

Mounting Basics

Optical Rails

Mirror Mounts

Lens Mounts

Filter Mounts

Rotation Mounts

Adapters

V-Mounts

Apertures
& Iris Diaphragms

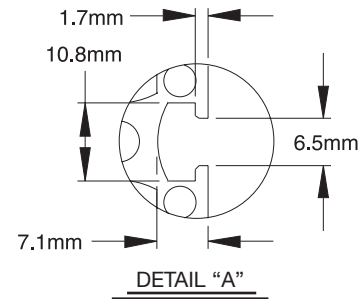
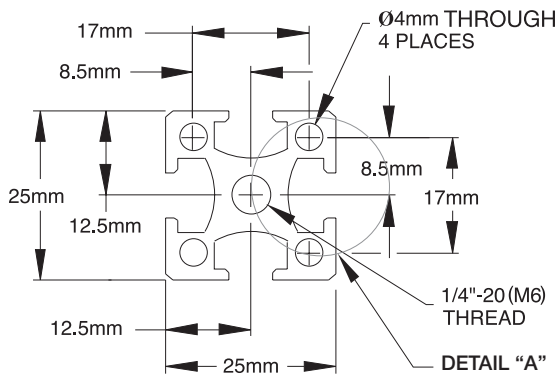
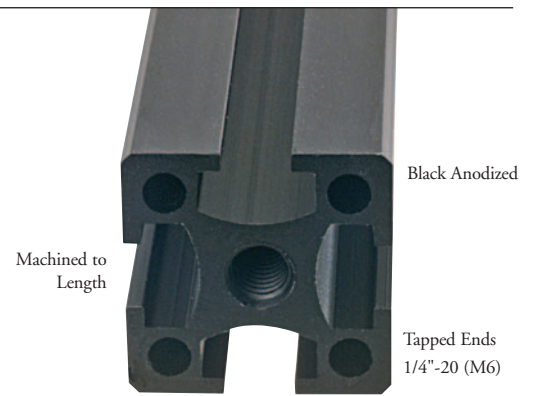
Lens Tubes

Cage Systems

XE25 Structural Rails

Our XE25L series structural rails are pre-cut and finished in lengths from 12" to 48" and with a tolerance of $\pm 0.006"$. Both ends of the rail are pre-tapped and black anodized. All sizes are maintained in our inventory and can be shipped the same day in the USA or Europe.

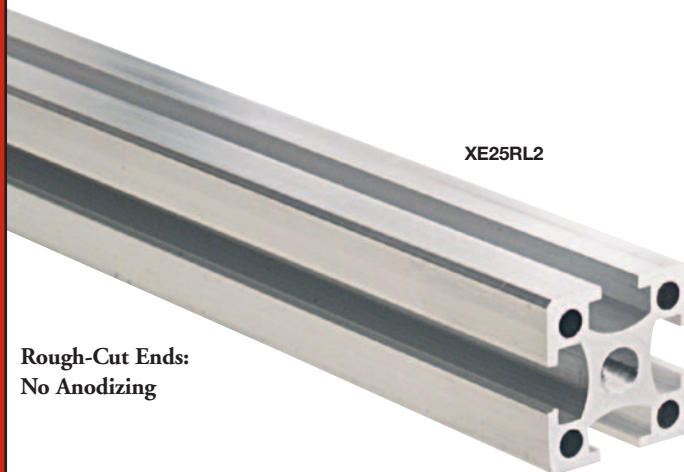
- Finished Lengths are Tapped on Both Ends 1/4"-20 (M6)
- Custom Cut and Finished Lengths Available



Precision Cut and Tapped Rails (Length $\pm 0.006"$)

ITEM#	METRIC ITEM#	\$	£	€	RMB	DESCRIPTION
XE25L12	XE25L300/M	\$ 13.30	£ 8.40	€ 12,40	¥ 127.00	12" (300mm) Structural Rail
XE25L18	XE25L450/M	\$ 15.30	£ 9.60	€ 14,20	¥ 146.10	18" (450mm) Structural Rail
XE25L20	XE25L500/M	\$ 19.40	£ 12.20	€ 18,00	¥ 185.30	20" (500mm) Structural Rail
XE25L24	XE25L600/M	\$ 21.40	£ 13.50	€ 19,90	¥ 204.40	24" (600mm) Structural Rail
XE25L28	XE25L700/M	\$ 23.50	£ 14.80	€ 21,90	¥ 224.40	28" (700mm) Structural Rail
XE25L30	XE25L750/M	\$ 24.50	£ 15.40	€ 22,80	¥ 234.00	30" (750mm) Structural Rail
XE25L36	XE25L900/M	\$ 27.50	£ 17.30	€ 25,60	¥ 262.60	36" (900mm) Structural Rail
XE25L48	XE25L1200/M	\$ 34.70	£ 21.90	€ 32,30	¥ 331.40	48" (1200mm) Structural Rail

XE25 Unanodized Raw Construction Rails



Rough-Cut Ends:
No Anodizing

The XE25RL2 is offered as an unanodized and rough-cut raw extrusion for our customers who prefer machining and finishing their own rails. The center hole of the extrusion can be tapped with either a 1/4"-20 or M6 tap without additional machining.

Our standard length is 2 meters (approx. 6 feet). If your application requires longer lengths, we can supply this extrusion in lengths of up to 3 meters (approx. 10 feet).

- Unanodized Raw Extrusion for Custom Applications
- Rough-Cut Lengths 2m (~6ft)
- Longer Lengths 3m (~10ft) Available for OEM Applications

ITEM#	\$	£	€	RMB	DESCRIPTION
XE25RL2	\$ 34.70	£ 21.90	€ 32,30	¥ 331.40	XE25 Unanodized Raw Construction Rail, 2 Meters