

## Optomechanics

Mounting Basics

Optical Rails

Mirror Mounts

Lens Mounts

Filter Mounts

Rotation Mounts

Adapters

V-Mounts

Apertures & Iris Diaphragms

Lens Tubes

Cage Systems



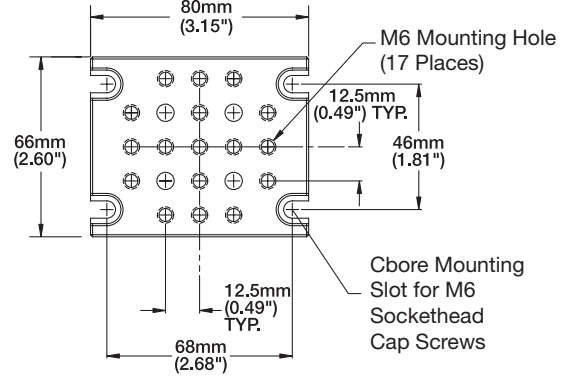
XT95P1

M6 Mounting Holes

## Rail Plates

The XT95P1 rail plate is designed to slide along the length of an XT95 series rail. Two T-nuts located on the underside of the plate interlock with clearance channels in the rail extrusion. These T-nuts, when actuated with the M6 socket head cap screws located in each corner of the plate, firmly lock the plate in position on the rail, as is illustrated in the image to the left. The hole pattern consists of 17 M6 tapped mounting holes on 12.5mm centers and four M6 counterbored through-holes are also provided.

It is important to note that unlike the XT95P2 drop-on carriage detailed on the next page, the XT95P1 must be attached to the rail via an open rail end.

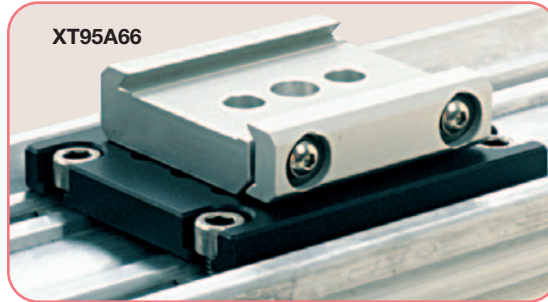


ITEM#	\$	£	€	RMB	DESCRIPTION
XT95P1	\$ 38.80	£ 24.40	€ 36,10	¥ 370.50	XT95 Rail Plate

## XT95 to XT66 Adapter Carriage

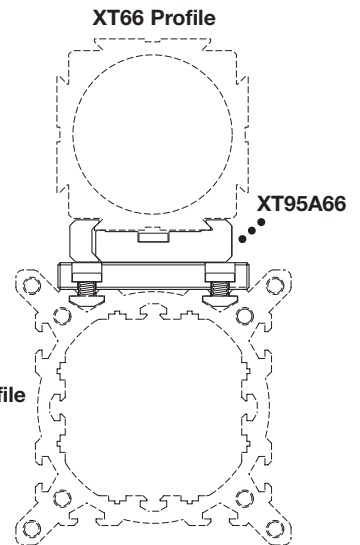
With the introduction of a 34mm light duty and a 66mm medium duty rail set along with our existing 95mm heavy duty rail, compatibility has become a key issue.

While there are many ways to mount between rail systems, the XT95A66 Adapter Carriage forms an ideal link between these systems. The fixed adapter can be used to clamp two rails in parallel or reconfigured to clamp the rails perpendicular to each other.



XT95A66

- Adapter Clamp for Integrating XT66 and XT95 Rail Structures
- Adapter Plate can be Reconfigured for Perpendicular Rail Orientation

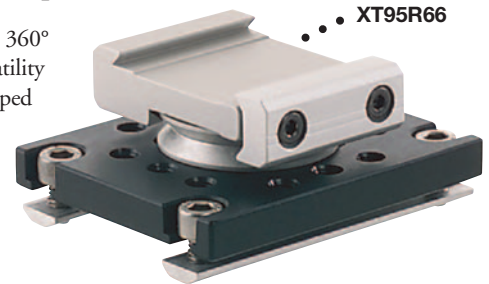


ITEM#	\$	£	€	RMB	DESCRIPTION
XT95A66	\$ 53.00	£ 33.40	€ 49,30	¥ 506.20	XT95 to XT66 Adapter Carriage

## XT95 to XT66 Pivot Adapter

The XT95 to XT66 pivot adapter allows for 360° mounting of XT95 to XT66 rails. This versatility comes from taking advantage of the disc-shaped dovetail adapter. This unique system makes it simple to build complete optical assemblies on the rigid XT95 support structure.

- 360° Mounting Between the XT95 and XT66 Rail Systems



XT95R66



**360° Rotation**  
Rails Sold Separately

ITEM#	\$	£	€	RMB	DESCRIPTION
XT95R66	\$ 76.50	£ 48.20	€ 71,10	¥ 730.60	XT95 to XT66 Rotation Adapter