

Optomechanics

Mounting Basics

Optical Rails

Mirror Mounts

Lens Mounts

Filter Mounts

Rotation Mounts

Adapters

V-Mounts

Apertures & Iris Diaphragms

Lens Tubes

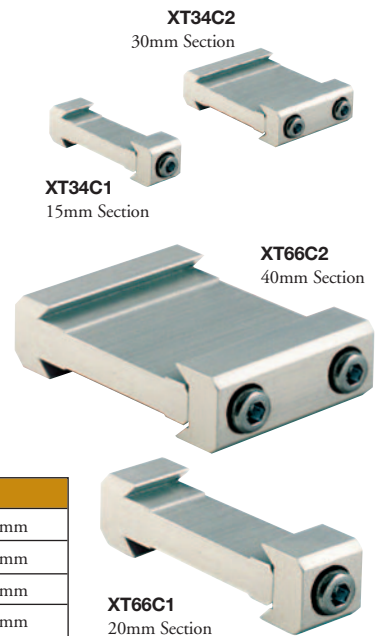
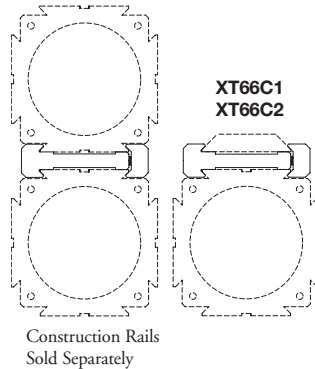
Cage Systems

XT34 and XT66 Double Dovetail Clamps

- Clamp Between Rails or Mounting Plates
- Allows for Modular Construction of Instruments
- Mounts Rails Parallel to Each Other

The key to the dovetail design of the XT34 and XT66 Series is its ability to clamp rails together as well as mount components along the rails.

These dovetail clamps are a basic building block when using the XT34 and XT66 rail systems to construct sturdy optical instruments.

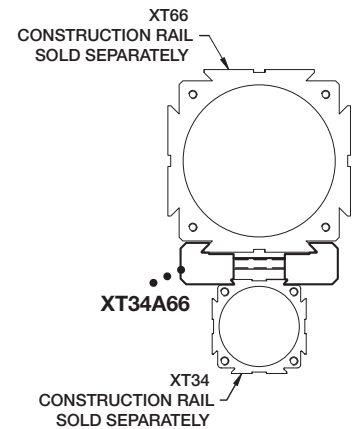
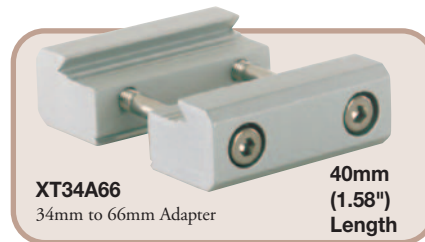


ITEM#	\$	£	€	RMB	DESCRIPTION
XT34C1	\$ 12.80	£ 8.10	€ 11.90	¥ 122.20	XT34 Double Dovetail Clamp, 15mm
XT34C2	\$ 14.80	£ 9.30	€ 13.80	¥ 141.30	XT34 Double Dovetail Clamp, 30mm
XT66C1	\$ 14.80	£ 9.30	€ 13.80	¥ 141.30	XT66 Double Dovetail Clamp, 20mm
XT66C2	\$ 17.90	£ 11.30	€ 16.60	¥ 170.90	XT66 Double Dovetail Clamp, 40mm

XT34 and XT66 Double Dovetail Adapter Clamp

The XT34 and XT66 are complementary rails for our XT Rail System. This adapter clamp provides a solution for integrating optical instruments built from these popular product families.

- Adapter Clamp for Integrating XT34 and XT66 Rail Structures Into One Setup
- Easy Access Side Clamping Mechanism Allows Drop-On Access to Existing Structures

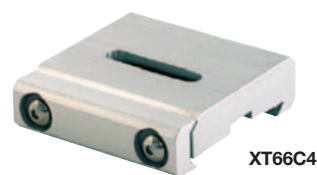
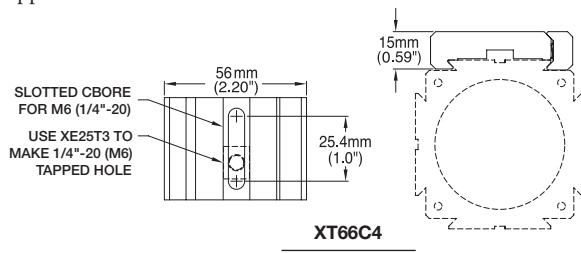


ITEM#	\$	£	€	RMB	DESCRIPTION
XT34A66	\$ 29.10	£ 18.30	€ 27.10	¥ 277.90	Double Dovetail Adapter Clamp, XT34 to XT66

XT66 Clamping Platform With Counterbored Slot

The XT66 clamping platform provides a 1/4"-20 or M6 counterbored slot for a variety of possible configurations. By using a slotted platform in conjunction with either a channel nut or channel screw (see page 113), this mounting platform can be utilized in a wide variety of applications.

- Single Stage With Built-In Clamp
- Provides a Stable Platform for Lens and Mirror Mounts
- Great for Use as an Optical Rail Slider



Mounting With Channel Nut



Mounting With Channel Screw

ITEM#	\$	£	€	RMB	DESCRIPTION
XT66C4	\$ 24.00	£ 15.10	€ 22.30	¥ 229.20	XT66 Clamping Platform, 40mm Long

* Imperial & Metric Compatible

www.thorlabs.com