

High-Precision Rotation Mount for Ø1/2" Optics



TR Mounting Post Not Included

- Continuous 360° Coarse Rotation
- Direct Read 2° Graduations on Main Dial
- Vernier Scale Provides 10arcmin Resolution
- When Locked, 0.25mm Pitch Screw Driven ±9° of Fine Rotation
- Fully Compatible With Our SM05 Lens Tubes (0.535"-40 Thread) on Page 207

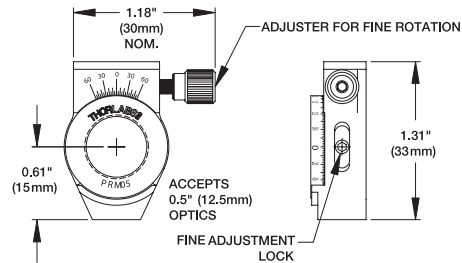


SPW603
Spanner Wrench



SM05RR
One SM05RR Included

- Directly Accepts Ø1/2" Optics up to 0.25" (6mm) Thick
- Ideal for Ø1/2" Polarization Optics



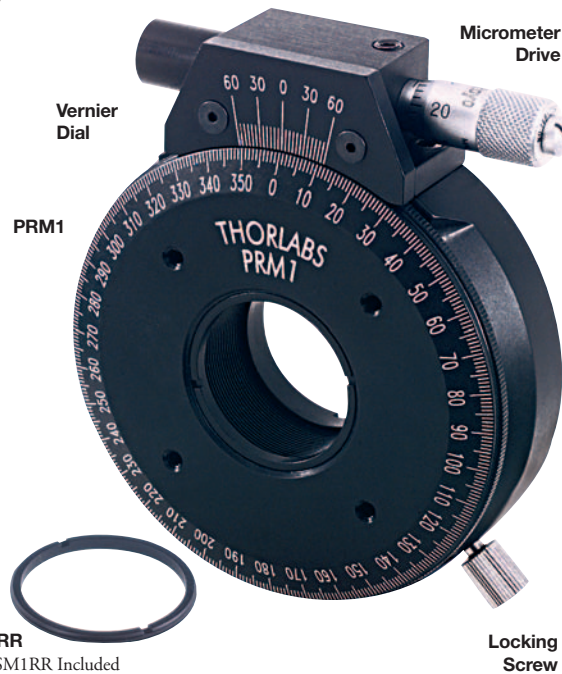
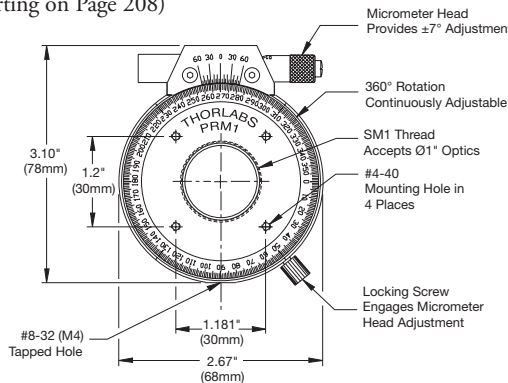
ITEM#	METRIC ITEM#	\$	£	€	RMB	DESCRIPTION
PRM05*	PRM05/M*	\$ 152.00	£ 95.80	€ 141,40	¥ 1,451.60	Rotation Mount for Ø1/2" Optics
	SM05RR	\$ 5.10	£ 3.20	€ 4,70	¥ 48.70	Extra Retaining Ring for PRM05
	SPW603	\$ 28.40	£ 17.90	€ 26,40	¥ 271.20	Spanner Wrench for SM05RR

*Comes with one retaining ring (SM05RR), extra retaining rings are useful when mounting thin optics that need to be offset in the rotation stage.

High-Precision Rotation Mount for Ø1" Optics

The PRM1 Rotation Mount combines easy-to-use continuous manual rotation with high-precision, backlash-free micrometer adjustment. While the knurled dial is in an unlocked state (see locking screw photo, below right), continuous smooth rotation can be measured with the 1° laser-engraved graduation marks. While in a locked position, the micrometer drive can provide ±7° of rotational motion with 5arcmin of resolution. This high degree of resolution is made possible by the top-mounted vernier plate. For even higher angular resolution, the vernier can be used to calibrate the micrometer head graduations to as low as about 1arcmin across a ±5° range with accuracy better than 1%.

- Vernier Provides 5arcmin Resolution
- 360° Coarse Rotation
- 1° Graduations on Main Dial
- When Locked, Micrometer Driven ±7° of Fine Rotation (-2.4arcmin per Micrometer Division)
- Directly Accepts Ø1" Optics up to 0.50" (13mm) Thick
- One Retaining Ring Included to Secure Optic in Place
- Fully Compatible With Our SM1 (1.035"-40) Lens Tube Accessories (Starting on Page 208)

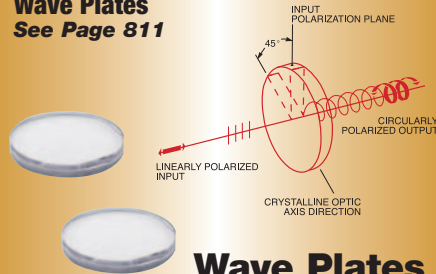


ITEM#	METRIC ITEM#	\$	£	€	RMB	DESCRIPTION
PRM1*	PRM1/M*	\$ 255.00	£ 160.70	€ 237,20	¥ 2,435.30	High-Precision Rotation Mount
	SM1RR	\$ 5.30	£ 3.30	€ 4,90	¥ 50.60	Additional Retaining Ring
	SPW602	\$ 28.40	£ 17.90	€ 26,40	¥ 271.20	Spanner Wrench

*One SM1RR is included with each rotation mount.

TOOLS OF THE TRADE

Zero-Order Wave Plates
See Page 811



Wave Plates

Thorlabs has increased the range of wave plates that it offers. Please see pages 809-824 for details.