

Cage Plate Adapter

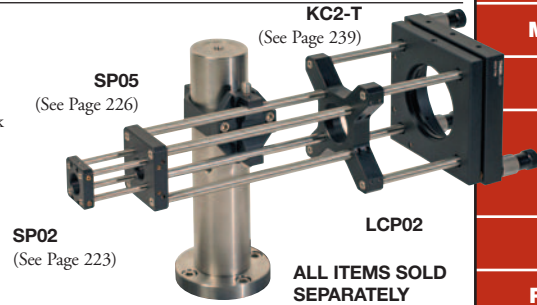
These Cage Adapter Plates provide the means for integrating our various cage systems together. The SP05 cage adapter plate integrates our 30mm Cage Assembly to our new 16mm Compact Cage System. This adapter plate accepts both ER and SR Series Rods, which are locked into place using the (8) #4-40 locking screws provided. The SP05 is internally threaded with SM05 (0.535"-40) threads, making it directly compatible to our Ø1/2" lens tubes and adapters.

The LCP02 cage adapter plate provides a convenient means for coupling 30mm and 60mm cage assemblies via our Ø6mm ER rods. The centered SM1 (1.035"-40) tapped hole is 1/2" (13mm) thick and directly compatible with our SM series components. Each cage rod through-hole is accompanied by locking setscrews



SP05
30mm/16mm
Adapter 0.35"
(8.9mm) Thick

LCP02
60mm/30mm
Adapter 1/2"
(12.7mm) Thick



SP05
(See Page 226)

SP02
(See Page 223)

KC2-T
(See Page 239)

LCP02

ALL ITEMS SOLD SEPARATELY

located on the side. To couple 16mm cage components to 60mm cage components, the SP05 and LCP02 adapter plates can be used; the four outer holes on the SP05 mate with the four inner holes on the LCP02.

Additionally, two of these cage plates can be used to straddle a 30mm cage subassembly in such a way that the entire assembly (LCP02—30mm subsystem—LCP02) can slide along the 60mm cage rods as a single optomechanical unit.

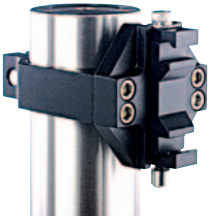
ITEM#	METRIC ITEM#	\$	£	€	RMB	DESCRIPTION
LCP02*	LCP02*	\$ 37.80	£ 23.80	€ 35.20	¥ 361.00	30mm to 60mm Cage Adapter Plate
SP05	SP05/M	\$ 30.00	£ 18.90	€ 27.90	¥ 286.50	16mm to 30mm Cage Adapter Plate

*Universal Design, Imperial & Metric Compatible.

Post Cage Adapters

C1526

Post Not Included



These Ø1.5" Post Cage Plate Adapters allow our 16mm, 30mm, or 60mm cage assemblies to be securely attached to our Ø1.5" P Series Posts. A quick-connect mechanism is activated by a single hex wrench for fast drop-in/drop-out of cage assemblies. An additional 1/4"-20 (M6) clamping screw is provided to allow the main quick-connect cage clamping mechanism to be used with our standard post system (post not included).

ITEM#	METRIC ITEM#	\$	£	€	RMB	DESCRIPTION
C1516	C1516/M	\$ 79.00	£ 49.80	€ 73.50	¥ 754.50	16mm Cage Clamp
C1526	C1526/M	\$ 71.00	£ 44.70	€ 66.00	¥ 678.10	30mm Cage Clamp
C1560	C1560/M	\$ 79.00	£ 49.80	€ 73.50	¥ 754.50	60mm Cage Clamp

Cage Mounting Adapter

The CP02B provides a compact mounting option when working with our 30mm cage system (see page 227). Three counterbored #8 (M4) mounting holes allow this adapter to be used with our standard post and post holders.



CP02B

Posts and Post Holder Sold Separately. See Page 79.

ITEM#	\$	£	€	RMB	DESCRIPTION
CP02B*	\$ 13.70	£ 8.60	€ 12.70	¥ 130.80	30mm Cage Adapter

*Universal Design, Imperial and Metric Compatible

Ø2" Round Cage Plates for 30mm Cage

- CP07: Ø2" Smooth Outer Diameter
- CP07T: 2.035"-40 (SM2) External Thread
- Both Offer 1.035"-40 (SM1) Internal Threads
- Compatible With 30mm Cage Systems

The CP07 and CP07T provide an easy method for fastening a 30mm Cage Assembly into our Ø2" Kinematic Mirror Mounts. This allows for fine angular adjustment of an entire optical assembly as a single unit.

The CP07 has a smooth 2" outer diameter, which is perfect for insertion into any mount designed for Ø2" optics. The CP07T offers an SM2 (2.035"-40) threaded outer diameter for compatibility with Ø2" Lens Tubes and 60mm Cage Plates.

CP07
Smooth Ø2"
Outer Diameter

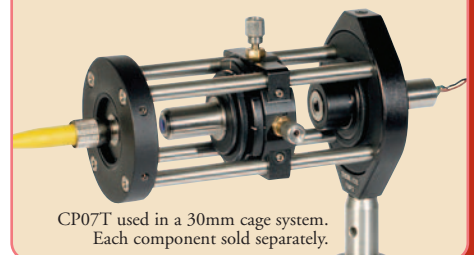
CP07T
2.035"-40 (SM2)
External Thread



Both models offer an internal hole pattern for our popular 30mm Cage Plates. Four 6mm holes at 30mm center-to-center spacing are provided for compatibility with existing 30mm cage structures.

A centrally located SM1 (1.035"-40) tapped hole is provided for insertion of optics and lens tubes. Each Ø6mm hole is accompanied by a side-located cage rod locking screw that resides below the outer diameter surface.

APPLICATION IDEA



CP07T used in a 30mm cage system. Each component sold separately.

ITEM#	\$	£	€	RMB	DESCRIPTION
CP07*	\$ 24.00	£ 15.10	€ 22.30	¥ 229.20	Ø2" Outer Diameter, SM1 Internal Thread
CP07T*	\$ 27.00	£ 17.00	€ 25.10	¥ 257.90	SM2 Threaded Outer Diameter, SM1 Internal Thread

*Universal Design, Imperial and Metric Compatible