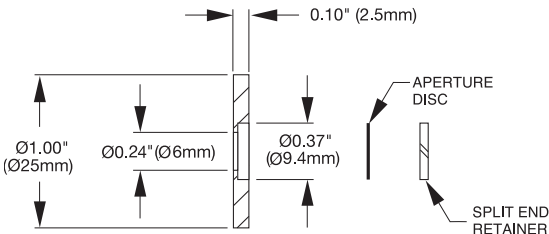
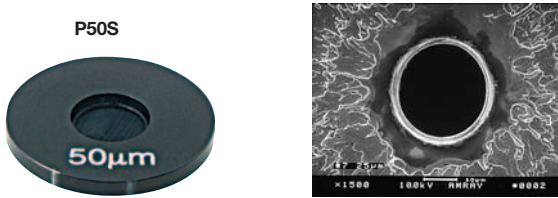


## Optomechanics

### Mounted Pinholes



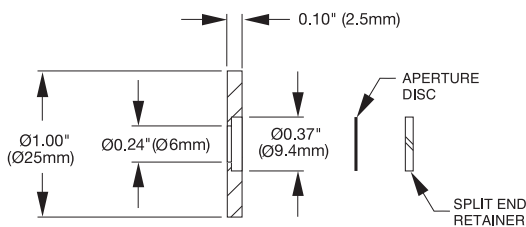
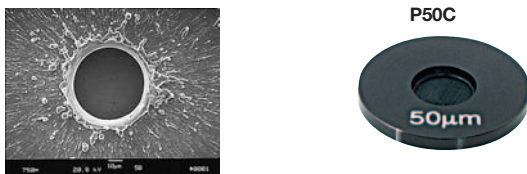
These precision pinholes are ideal for building spatial filters. The circularity of the 5, 10, and 15µm pinholes is 0.5µm. For the 20, 25, 30, and 50µm pinholes, the circularity is 1µm. For the larger sizes, the circularity is 2µm.

#### Damage Threshold

- $5 \times 10^4$  W/mm<sup>2</sup>, 75ns Pulse @700nm
- $1 \times 10^5$  W/mm<sup>2</sup>, 10ns Pulse @700nm
- $1 \times 10^3$  W/mm<sup>2</sup>, CW @10.6µm

ITEM#	\$	£	€	RMB	DESCRIPTION
P5S	\$ 67.60	£ 42.60	€ 62.90	¥ 645.60	5 ± 1µm Mounted Pinhole
P10S	\$ 59.30	£ 37.40	€ 55.10	¥ 566.30	10 ± 1µm Mounted Pinhole
P15S	\$ 59.30	£ 37.40	€ 55.10	¥ 566.30	15 ± 1.5µm Mounted Pinhole
P20S	\$ 59.30	£ 37.40	€ 55.10	¥ 566.30	20 ± 2µm Mounted Pinhole
P25S	\$ 59.30	£ 37.40	€ 55.10	¥ 566.30	25 ± 2µm Mounted Pinhole
P30S	\$ 59.30	£ 37.40	€ 55.10	¥ 566.30	30 ± 2µm Mounted Pinhole
P50S	\$ 59.30	£ 37.40	€ 55.10	¥ 566.30	50 ± 3µm Mounted Pinhole
P75S	\$ 59.30	£ 37.40	€ 55.10	¥ 566.30	75 ± 3µm Mounted Pinhole
P100S	\$ 58.80	£ 37.00	€ 54.70	¥ 561.50	100 ± 4µm Mounted Pinhole
P150S	\$ 59.30	£ 37.40	€ 55.10	¥ 566.30	150 ± 6µm Mounted Pinhole

### High-Power Mounted Pinholes



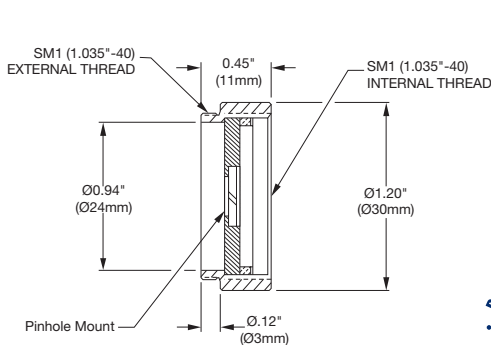
These precision pinholes are designed to withstand high-power densities up to 10<sup>7</sup>W/cm<sup>2</sup> for CW lasers. We recommend aligning the pinhole at low power and increasing the laser only after ensuring good throughput.

#### Damage Threshold

- $5 \times 10^5$  W/mm<sup>2</sup>, 75ns Pulse @700nm
- $1 \times 10^6$  W/mm<sup>2</sup>, 10ns Pulse @700nm
- $1 \times 10^4$  W/mm<sup>2</sup>, CW @10.6µm
- Copper Pinholes, Gold Plated One Side, Flat Poly Black (98% Emissivity) on the Reverse
- 25µm Thickness at the Aperture

ITEM#	\$	£	€	RMB	DESCRIPTION
P10C	\$ 95.70	£ 60.30	€ 89.00	¥ 913.90	10 ± 1µm High-Power Pinhole
P25C	\$ 95.70	£ 60.30	€ 89.00	¥ 913.90	25 ± 2µm High-Power Pinhole
P50C	\$ 95.70	£ 60.30	€ 89.00	¥ 913.90	50 ± 3µm High-Power Pinhole

### Mounting Cell – Ø1" Lens Tubes



These tubes provide a convenient means for integrating our Pinholes or Fixed Vertical Slits (see next page) into our SM1 series stackable lens tubes.



ITEM#	\$	£	€	RMB	DESCRIPTION
SM1L03*†	\$ 12.16	£ 7.70	€ 11.30	¥ 116.10	SM1 Mounting Cell
SM1RR	\$ 5.30	£ 3.30	€ 4.90	¥ 50.60	SM1 Retaining Ring

\*SM1L03 includes one SM1RR retaining ring.

† Popular Products @ More Popular Prices

THORLABS

Mounting Basics

Optical Rails

Mirror Mounts

Lens Mounts

Filter Mounts

Rotation Mounts

Adapters

V-Mounts

Apertures & Iris Diaphragms

Lens Tubes

Cage Systems

Visit  
www.thorlabs.com  
For Mechanical  
Drawings and  
Our New  
Solid Models

