

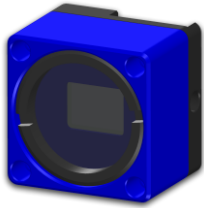
CinCam CMOS Pico - Technical Data -

CMOS-1201-Pico

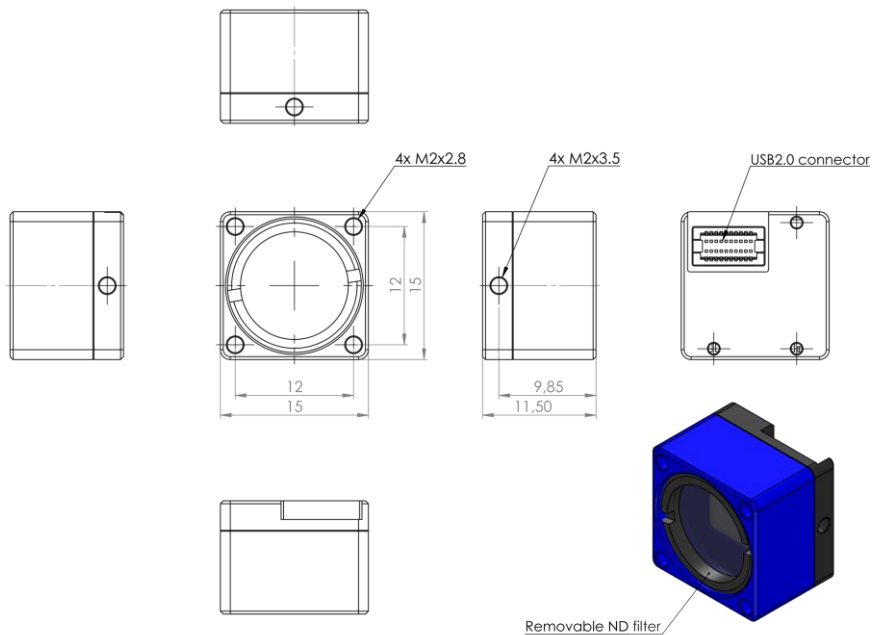
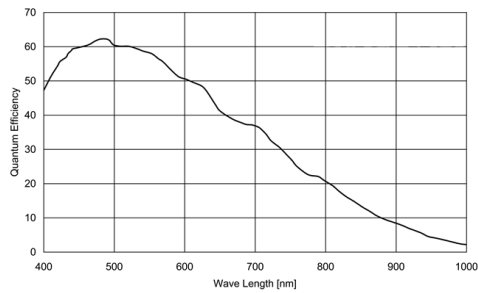
| <i>Standard Series</i> | |
|---|-----------------------|
| SENSOR DATA | |
| Format: | 1/2.5" |
| Active area (without cover glass): | 5.7mm x 4.3mm |
| Number of pixel: | 2560 x 1920 (5MPixel) |
| Pixel size: | 2.2µm x 2.2µm |
| Spectral response: | |
| Standard: absorptive built-in ND filter | 400nm - 1150nm |
| RT: reflective built-in ND filter | 320nm - 1150nm |
| UV: phosphor sensor coating | - |
| OM: sensor without microlenses | 240nm - 1150nm |
| IR: phosphor sensor coating | - |
| Beam diameter min / max (recommended): | 22µm / 3.2mm |
| CAMERA FEATURES | |
| Mount: | Filter-Mount |
| Bit depth (output): | 12Bit |
| Dynamic: | 70dB (1:3150) |
| Frame rate: | up to 4.6Hz |
| Exposure time: | 200µs-200ms |
| Interface: | USB 2.0 |
| Shutter: | Rolling |
| Mode: | cw |
| Trigger: | - |
| SPECIFICATIONS | |
| Mechanical dimensions (W x H x L): | 15mmx15mmx11.5mm |
| Weight: | 20g |
| Electrical requirements: | Power supply via USB |
| Storage temperature*: | -10°C...+60°C |
| Operating temperature*: | +0°C...+40°C |
| Regulations: | CE, RoHS |

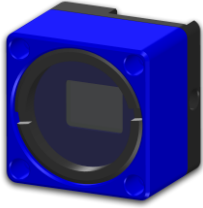
* Without condensation

Design and specification of the described product(s) are subject to change without notice.



CinCam CMOS Pico - Sensor Response - - Dimensions -



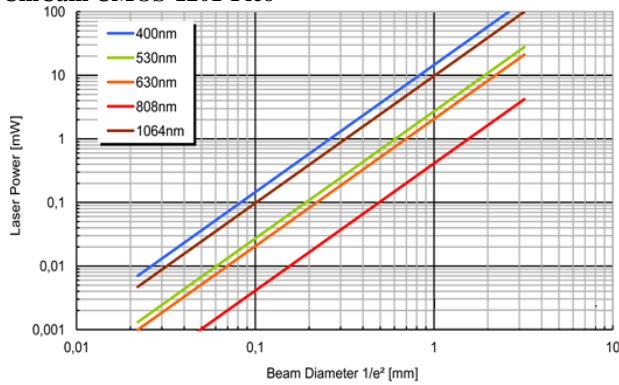


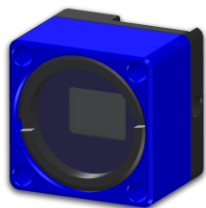
CinCam CMOS Pico - Operational Range -

Maximum CW power for saturation limit

Maximum PULSE energy for saturation limit
(single pulse during the exposure time)

CinCam CMOS-1201-Pico





CinCam CMOS Pico - Operational Range -

Saturation limit assumes:

| | |
|---------------------|----------------------|
| Saturation level: | 90% |
| Built-in ND-Filter: | OD3.0 |
| Exposure time: | 100µs (lowest value) |
| Gain: | 1 (lowest value) |
| Maximum beam power: | <1W |

A higher power level is possible with additional ND filter:

| Optical density | Higher limit |
|-----------------|--------------------------|
| OD 1.0 | 10 x Saturation limit |
| OD 2.0 | 100 x Saturation limit |
| OD 3.0 | 1000 x Saturation limit |
| OD 4.0 | 10000 x Saturation limit |

By longer exposure times a lower power level is apply:

| Exposure time | Lower limit | |
|---------------|-----------------------------------|--------------------|
| 100µs | See chart for cw saturation limit | |
| 1ms | 0.1 x Saturation limit | |
| 10ms | 0.01 x Saturation limit | Only for cw laser! |
| 100ms | 0.001 x Saturation limit | |
| 1000ms | 0.0001 x Saturation limit | |